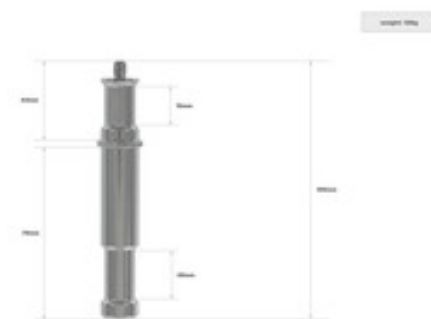
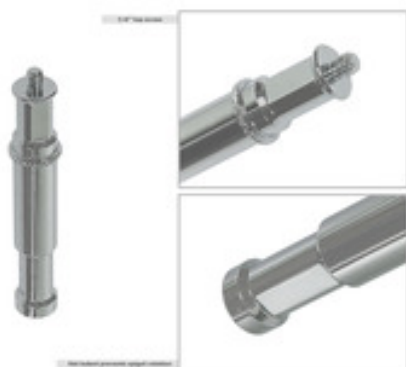


Spigot adapter 16 mm w/ 1/4" screw - long neck

Reference: GAX-SPIGSTUD011



- Top end with 1/4" screw
- Flat indent to prevent rotation
- Material: steel
- Total length: 95 mm



Product description:

Spigot stud 16mm with long neck and 1/4" top screw.

Features flat indents on both sides to prevent spigot rotation when locked by the receiver screw.

Made of chrome plated steel.

Total length: 95 mm

Technical Specifications: